

INDICATOR TYPE N320

Specification:

Characteristic:

- input NTC, Pt100, Pt1000, J
- indicator LED 3 digits
- programmable offset for sensor
- interface RS485 (option)

Input:

| | |
|------------|--|
| thermistor | NTC 10kΩ for 25°C (-50...120°C) |
| RTD | Pt100 (-50...530°C) Pt1000 (-200...530°C) |
| TC | J (0...600°C) |

Accuracy:

| | |
|---|--------------------|
| ±0,6% °C | for NTC |
| ±0,7% 1°C | for RTD |
| ±3°C | for thermocouple J |
| *All parameters stabilize after 15 minutes of working | |

Operating conditions:

0...+50°C/20...85%RH non condensing

Supply power:

85-265V AC, 24V±10% AC/DC

Enclosure dimensions:

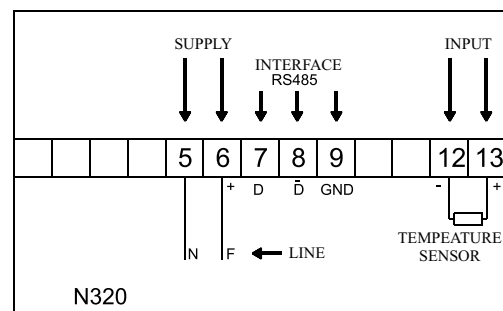
75x33x75 mm hole 70x29 mm

Additional function:

interface RS485 (MODBUS)



Connection diagrams:



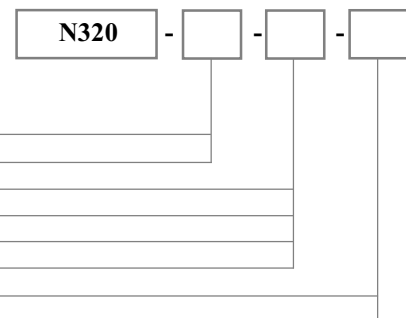
Ordering code:

Indicator

Supply: 90-250V AC: **4**
24V AC/DC: **5**

Input: Pt100: **1**
Pt1000: **2**
J: **3**
NTC: **4**

Interface: without: **0**
RS485: **1**



Example of ordering: N320-4-1-0