

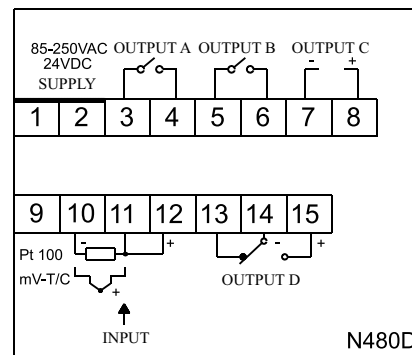
CONTROLLER TYPE N480D

Specification:

| | |
|---|--|
| Characteristic: | |
| <ul style="list-style-type: none"> • control output: SPST relay and voltage pulse • up to 2 alarm relay • programmable offset for sensor • ramp and soak: one controller ramp and one time soak • auto tuning PID • detects any sensor failure • easy to set programming menu for non-experienced users • dual 4-digits display • circuitry can be removed via front panel • front panel IP65 | |
| Input: | |
| TC | J, K, S, T, E, N, R |
| RTD | Pt100 |
| Accuracy: | |
| ±0,25%±1°C | for TC |
| ±0,2%°C | forPt100 |
| Output I: | |
| relay 3A/240 VAC (3A/30 VDC) | |
| Output II: | |
| SSR 5 VDC 20 mA max | |
| Output III: | |
| relay 3A/240 VAC (3A/30 VDC) | |
| Output IV: | |
| relay 5A/240 VAC (3A/30 VDC) | |
| 4...20 mA | |
| Characteristic of work: | |
| regulation | PID |
| operating conditions | 0...55°C/20...85%RH non condensatig |
| Supply voltage: | |
| 85-265V AC, 24V±10% AC/DC | |
| Enclosure dimensions: | |
| 48x48x110 mm hole 45,5x45,5 mm | |



Connection diagrams:

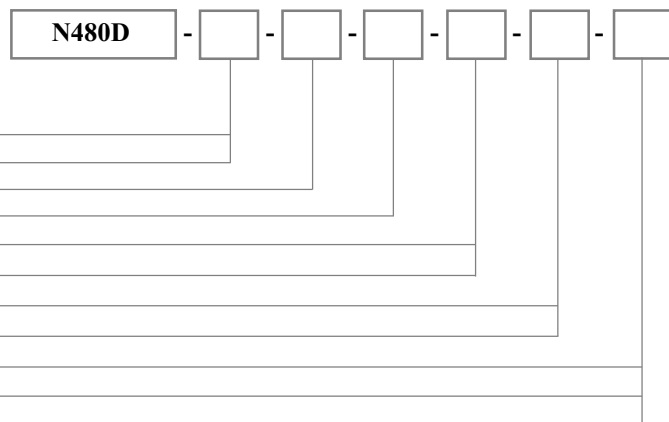


Ordering code:

Temperature controller

| | |
|-------------|---------------------------------|
| Supply: | 90-250V AC: 4 |
| | 24V AC/DC: 5 |
| Input: | 1 |
| Output I: | relay 3A/240 VAC (3A/30 VDC): 1 |
| Output II*: | without: 0 |
| | SSR 5VDC/20mA: 2 |
| Output III: | without: 0 |
| | relay 3A/240 VAC (3A/30 VDC): 1 |
| Output IV: | without: 0 |
| | relay 3A/240 VAC (3A/30 VDC): 1 |
| | 4...20 mA: 3 |

* can be choose 3 output max, SSR can't be choose with 4...20 mA



Example of ordering: N480D-4-1-1-2-1-0