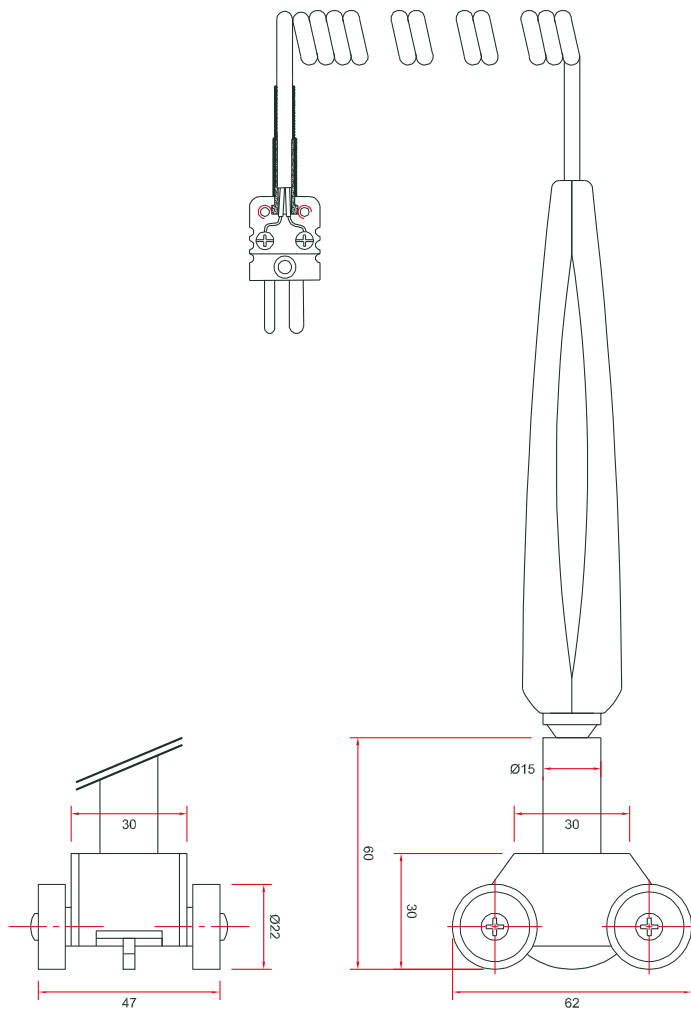




***K thermocouple temperature sensor for measurement of surface with moving parts***

**SFGSM K**

■ **Dimensions**



■ **Probe features**

- Thermocouple type K.
- Measuring range from **-40°C to +500°C**
- Response time very fast.

■ **Technical features**

- Working temperature**.....from -40°C to +500°C (only for the trolley)
- Accuracy for class 1**.....See "Tolerances" table
- Mounting of welding**.....Insulated hot welding in standard
- Storage temperature**.....from -20°C to +80°C
- Handle**.....ABS, 141 mm length, from -40 °C to +85 °C
- Output** .....by PVC coiled cable , 200 mm length  
1800 mm length stretched  
Temperature maxi 105 °C  
Male miniature connector (in standard)

■ **Tolerances of the probe**

TC	MEASURING RANGE CLASS 1	TOLERANCE
K	From -40 °C to +500 °C	From -40°C to +375°C ± 1.5°C From 375°C to 500°C ± 0.004 x T°abs

[www.kimo.fr](http://www.kimo.fr)

**EXPORT DEPARTMENT**

Tel : + 33. 1. 60. 06. 69. 25 - Fax : + 33. 1. 60. 06. 69. 29

e-mail : [export@kimo.fr](mailto:export@kimo.fr)



Distributed by :