

GH 500

Hygrometry bench

NEW

THE HYGROMETRY GENERATOR ALLOWS THE ADJUSTMENT AND CALIBRATION OF MEASURING INSTRUMENTS IN LABORATORY OR ON-SITE.

DESIGNED FOR PROFESSIONNALS OF METROLOGY

Calibration of several instruments simultaneously

Solid transport case

Aluminium frame

Multi-probe ventilated measuring chamber

Portable instrument


Interchangeable regulating probe

User-friendly



FEATURES

MAIN TECHNICAL FEATURES

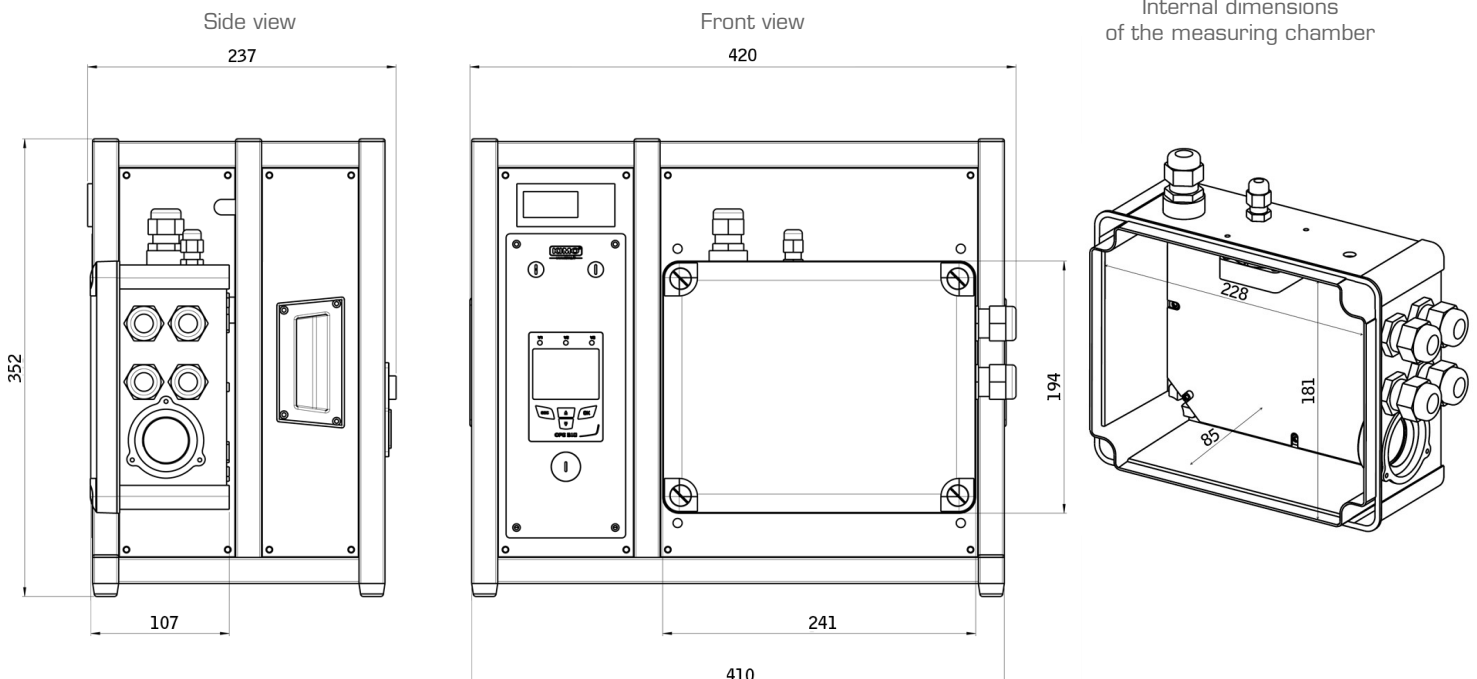
K38 display	4 red digits, height: 12 mm
	3-led bargraph
	Electroluminescent alphanumeric
CPE 310 display	Protection screen made of inactinic red PMMA
	100-240 Vac / 50-60 Hz
Power supply	1 A 250 V time delay fuse
Protection	20 W
Consumption	From 18 to +25° C (as stable as possible)
Operating temperature	From -10 to + 70° C
Storage temperature	Air, non-aggressive gases, non-corrosive gases
Environment	Maximal altitude: 2000 m
	Non-condensation conditions
Weight	9 kg
Conformity	2004/108/EC EMC ; 2006/95/CE Low voltage; 2011/65/EU RoHS II ; 2012/19/EU WEEE
Instrument to connect to earth protection	
Protection class	1
Pollution degree	2
Over-voltage category	2
Protection index	IP 30

TECHNICAL FEATURES IN MEASUREMENT AND IN HYGROMETRY GENERATION

GH 500

Measuring range	From 5 to 95%RH and from -20 to +80 °C
Accuracy*in measurement	Hygrometry :
	- Accuracy (Repeatability, linearity, hysteresis) :
	±1.5%RH (from 15°C to 25°C)
	- Factory calibration uncertainty : ±0.88 %RH
	- Drift linked to temperature : ±0.04 x (T-20) %RH
	(if T<15°C or T>25°C)
Generation range	From 10 to 85%RH

DIMENSIONS (in mm)



GH 500 IS SUPPLIED WITH :

- 1x PG29 cable gland
- 1x PG21 cable gland
- 1x PG16 cable gland
- 1x PG29-PG16 reducer
- 7x plug sets
- 1x bottle of demineralised water of 250 ml
- 1x bottle for the transport of demineralised water
- 1x bottle of desiccant pearls of 110 g for drying cartridge
- User manual
- 1x power supply

MAINTENANCE

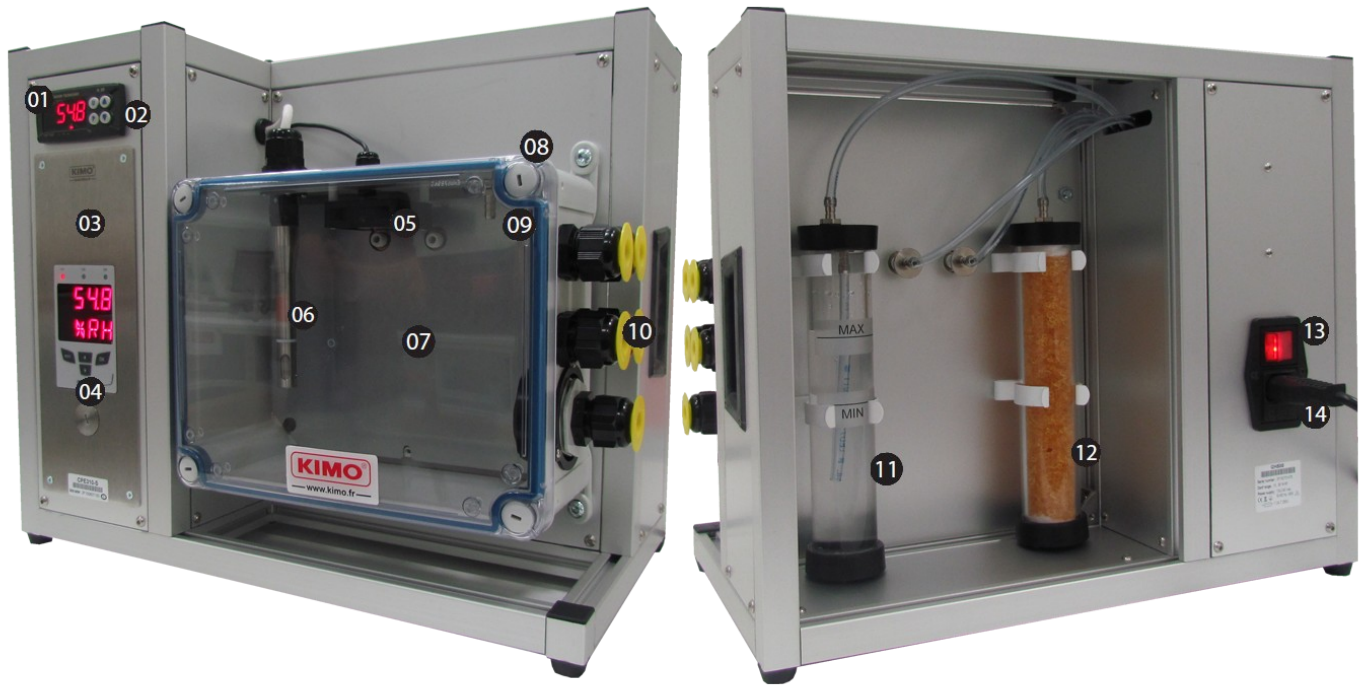
We carry out calibration, adjustment and maintenance of your devices to guarantee a constant level of quality of your measurements. As part of Quality Assurance Standards, we recommend you to carry a yearly checking.

WARRANTY

Instruments have 1-year guarantee for any manufacturing defect (return to our After-Sales Service required for appraisal).

*All accuracies indicated in this document were stated in laboratory conditions and can be guaranteed for measurements carried out in the same conditions, or carried out with calibration compensation.

INSTRUMENT DESCRIPTION

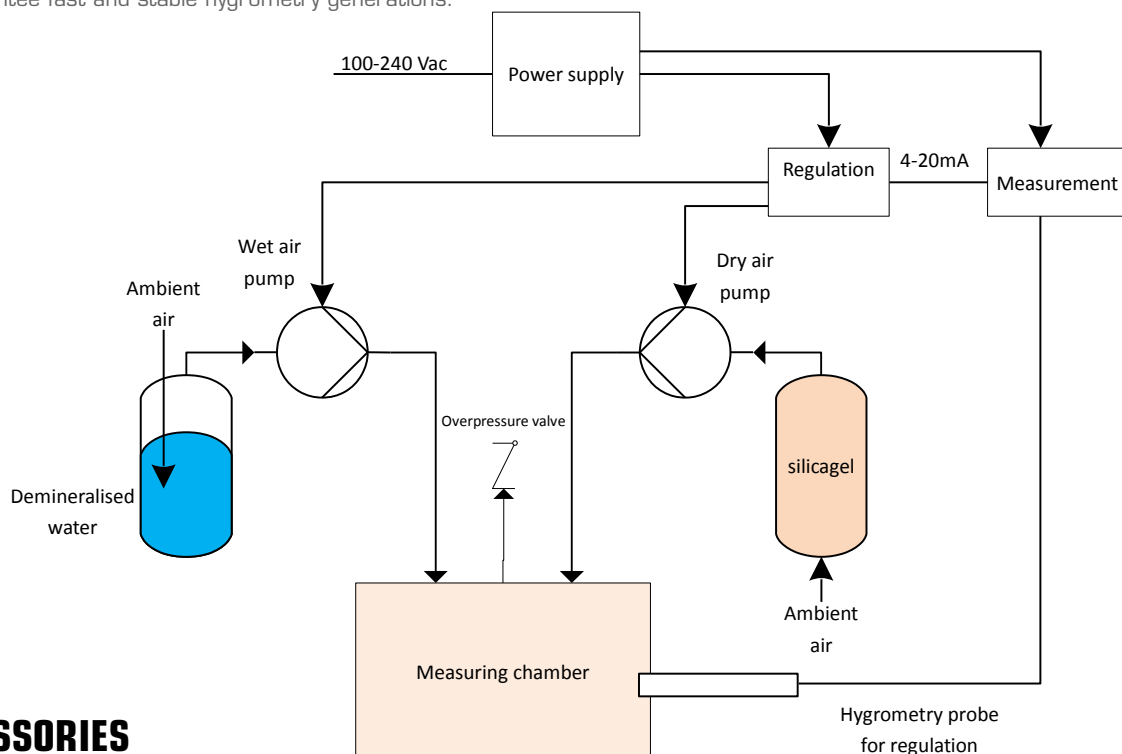


- 01. K38 controller with adjustable setpoints
- 02. K38 keypad : selection of the setpoint value
- 03. CPE 310-S transmitter for measurement of the chamber
- 04. CPE 310-S keypad : configuration of the measurement transmitter
- 05. Blower
- 06. SHSI thermo-hygro measuring probe for CPE 310-S
- 07. Metallic mounting plate to magnetize the instruments

- 08. Overpressure control exhaust outlet
- 09. Measuring chamber with front opening
- 10. Cable gland for probes
- 11. Moistening cartridge
- 12. Drying cartridge
- 13. On/Off key
- 14. Power supply

SIMPLICITY AND STABILITY

GH500 instrument is the key instrument to adjust and calibrate in ambient air your measuring instruments in hygrometry. Easy-to-use, it will guarantee fast and stable hygrometry generations.



ACCESSORIES

Please see the accessories features on page 2.

TRANSPORT CASE



Desiccant pearls flask (110 g)

GH 500

Location for accessories

Demineralised water flask (250 ml)

Flask n°2 for the transport of the demineralised water (250 ml)

Frang - GH500 - 12/07/16 - RCS (24)Périgueux 349 282 095 - Non-contractual document - We reserve the right to modify the characteristics of our products without prior notice.

www.kimo.fr

Distributed by :



EXPORT DEPARTMENT
Tel : + 33. 1. 60. 06. 69. 25 - Fax : + 33. 1. 60. 06. 69. 29
e-mail : export@kimo.fr