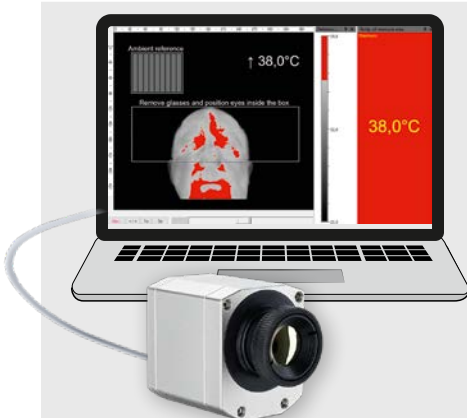
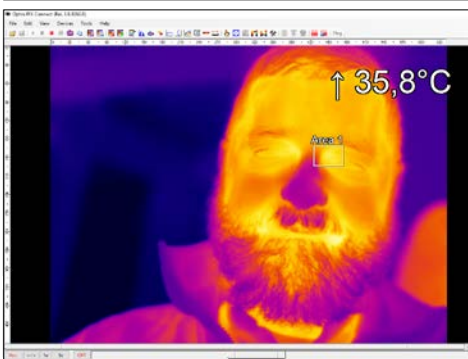


IR camera for the detection of  
slightest temperature differences  
for fever screening applications



**Features:**

- Smallest camera in its class (46 x 56 x 68 – 77 mm)
- Interchangeable lenses
- Superb thermal sensitivity of 40 mK
- Licence-free analysis software and calibration certificate included



PI 450i T010 and PC with software PIX Connect

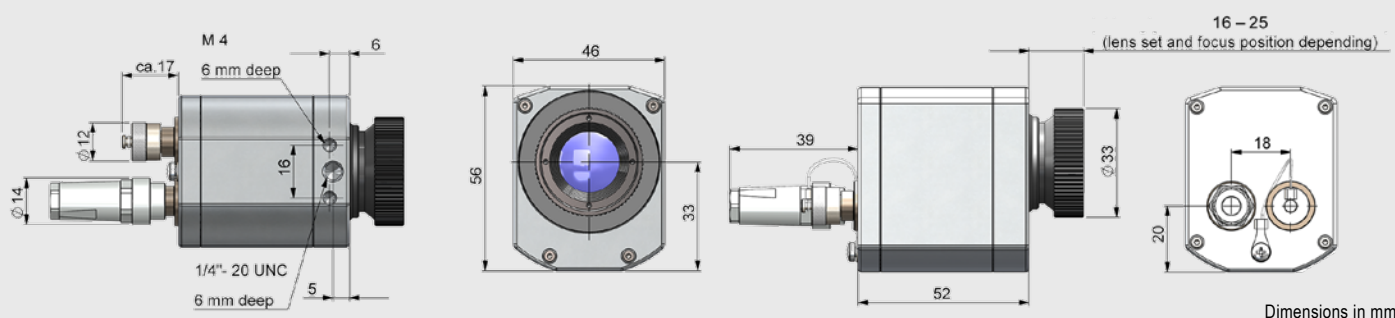
**Technical specifications**

Optical resolution	382 x 288 pixels
Detector	FPA, uncooled (17 µm x 17 µm)
Spectral range	8 – 14 µm
Temperature range	–20 °C ... 100 °C
Frame rate	80 Hz / switchable to 27 Hz
Optics (FOV)	18° x 14° / f = 20 mm or 29° x 22° / f = 12,7 mm or 53° x 38° / f = 7,7 mm or 80° x 54° / f = 5,7 mm
Thermal sensitivity (NETD)	40 mK with 29° x 22° FOV / F = 0.9 40 mK with 53° x 38° FOV / F = 0.9 40 mK with 80° x 54° FOV / F = 0.9 0.06 K with 18° x 14° FOV / F = 1.1
Accuracy	±2 °C
Accuracy with BR 20AR (T <sub>Amb</sub> 18 °C ... 33 °C)	±0,5 °C (T <sub>Obj</sub> 30 °C ... 40 °C)
PC interfaces	USB 2.0 / optional USB to GigE (PoE) interface
Standard process interface (PIF)	0 – 10 V input, digital input (max. 24 V), 0 – 10 V output
Industrial process interface (PIF) (optional)	2x 0 – 10 V input, digital input (max. 24 V), 3x 0/4 – 20 mA output, 3x relay (0 – 30 V/ 400 mA), fail-safe relay
Cable length (USB)	1 m (standard), 5 m, 10 m, 20 m
Ambient temperature	0 ... 70 °C
Storage temperature	–40 ... 85 °C
Relative humidity	20 – 80 %, non condensing
Enclosure (size / protection)	46 x 56 x 68–77 mm (depending on lens + focus position) / IP 67 (NEMA 4)
Weight	237 - 251 g (depending on lens)
Shock <sup>1)</sup> / Vibration <sup>1)</sup>	IEC 60068-2-27 (25G and 50G) / IEC 60068-2-6 (sinus shaped), IEC 60068-2-64 (broadband noise)
Tripod mount	¼–20 UNC
Power supply	via USB
Scope of supply (standard)	<ul style="list-style-type: none"> <li>• USB camera, incl. lens</li> <li>• USB cable (1 m)</li> <li>• Table tripod</li> <li>• PIF cable, incl. terminal block (1 m)</li> <li>• Software package optris PIX Connect</li> <li>• Test certificate</li> <li>• Rugged outdoor transport case (IP67)</li> <li>• Certificate of calibration (reference temperature: 35 °C)</li> </ul>

<sup>1)</sup> For further information see operator's manual

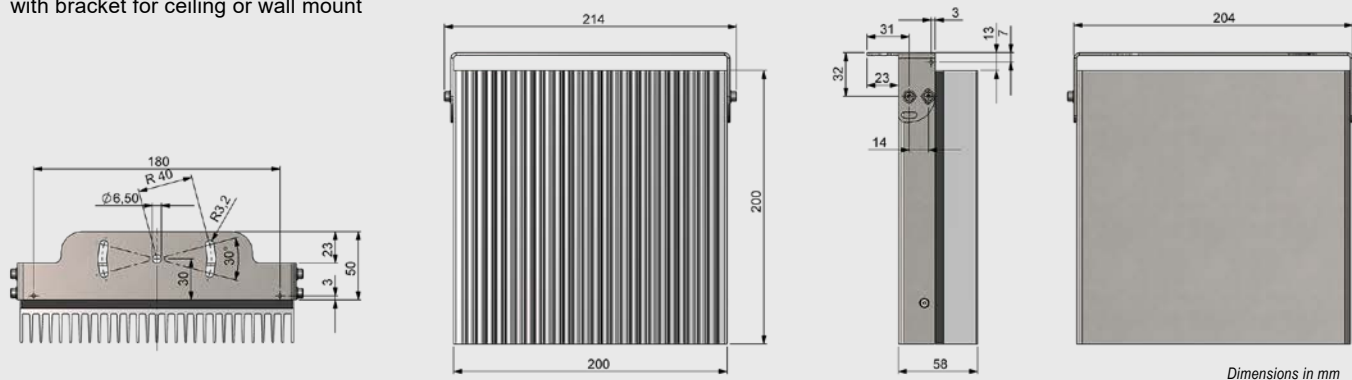
# optris PI 450i T010

## Dimensions



## Recommended accessory

**optris BR 20AR - Ambient temperature referencing source**  
with bracket for ceiling or wall mount



## Installation of PI 450i and BR 20AR at an inspection gate for individual fever screening

